

SOD-523 SCHOTTKY BARRIER DIODE

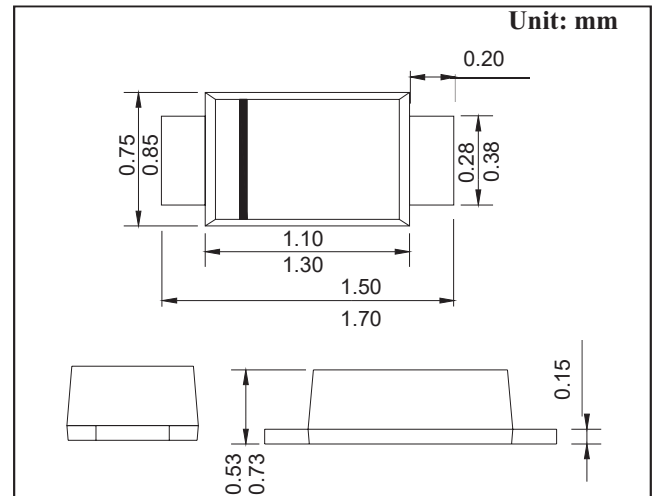
VOLTAGE RANGE: 30V PEAK PULSE POWER:150mW

FEATURES

- Low Forward Voltage Drop
- Guard Ring Construction for Transient
- Protection Negligible Reverse Recovery Time
- Very Low Reverse Capacitance

MECHANICAL DATA

- Case: SOD-523 Small Outline Plastic Package
- Polarity: Color band denotes cathode end
- Mounting Position: Any



MAXIMUM RATINGS AND CHARACTERISTICS

@ 25°C Ambient Temperature (unless otherwise noted)

Parameter	Symbol	Limit	Unit
DC reverse voltage	VR	30	V
Mean rectifying current	IO	200	mA
Non-repetitive Peak Forward Surge Current@t=8.3ms	IFSM	1	A
Power dissipation	PD	150	mW
Thermal resistance junction to ambient	RθJA	667	°C/W
Junction temperature	Tj	125	°C
Storage temperature	Tstg	-55~+150	°C

Electrical Specification (TA=25°C unless otherwise specified)

Parameter	Symbol	Min	Typ	Max	Unit	Conditions
Forward voltage	VF			0.6	V	IF=200mA
Reverse current	IR			1	μA	VR=10V

MARKING: B

RATINGS AND CHARACTERISTIC CURVES

